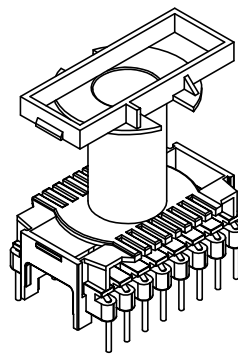
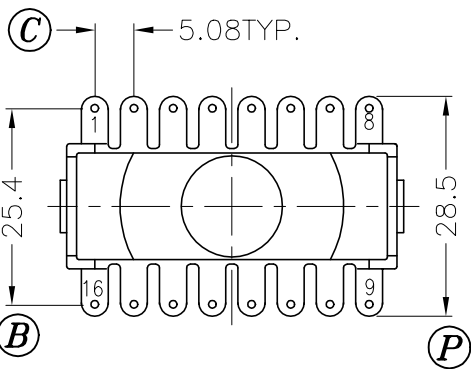
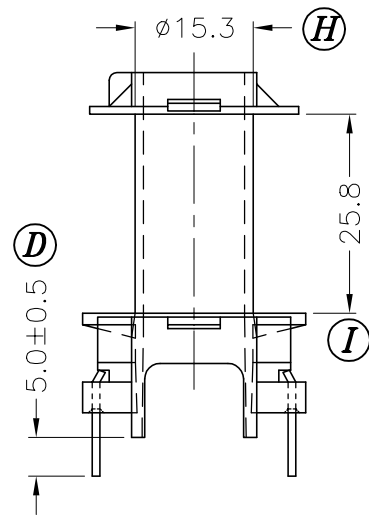
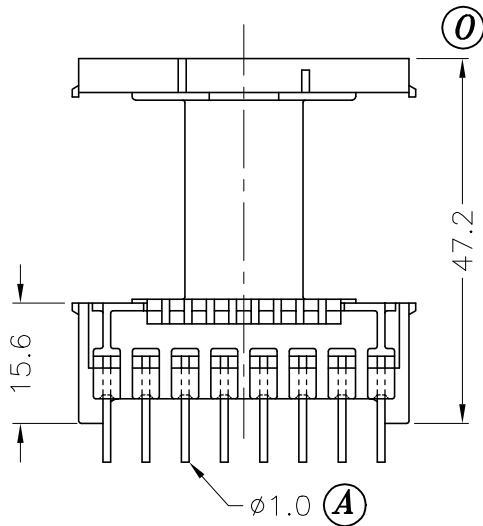
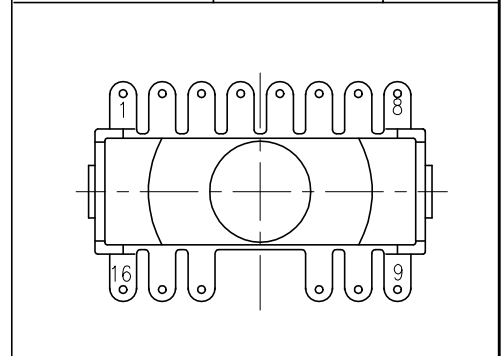


SEC.A-A



DRAWING NO.	MATERIAL:	ORIGIN:
P-3905-1	PET FR530	DG



REV.	REVISIONS	REC.	REV.	REVISIONS	REC.
1	MODIFY DIM (N) FROM 15.3->15.6				
2	CANCEL (M),(N); ADD (T).				

DRAWN & DRAFTED BY HONG JUN	TOLERANCES		ANGLE:	TITLE:	
	0<L≤4 ±0.1	pin pitch ±0.2	±1°	T-H BOBBIN ETD-39	
CHECKED & APPROVED BY JOHN RONG	4<L≤16 ±0.2		UNIT:	BOBBIN MATERIAL:	UL REC.
	16<L≤63 ±0.3	MM	PET FR530	UL 94V-0	
ORIGIN:		PIN MATERIAL:	PIN TENSION LOAD:		
SZ DG		CP WIRE	1.5KG MIN		
DATE:		DRAWING NO.	REV.		
APR.10 '2003		P-3905	2		



PIN SHINE INDUSTRIAL CO.,LTD.

TEL:886-2-22990545

FAX:886-2-22990546

