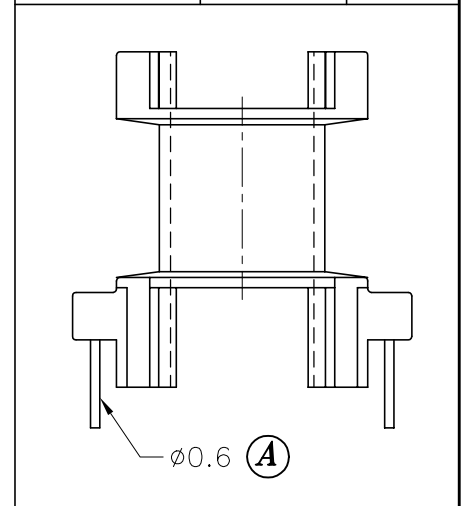


DRAWING NO.	MATERIAL:	ORIGIN:
P-2601-1	PM9820	DG



REV.	REVISIONS	REC.	REV.	REVISIONS	REC.
1	CANCEL (L); UPDATE DRAWING.				

DRAWN & DRAFTED BY ZHI QIANG	TOLERANCES		ANGLE:	TITLE:		
	0<L≤4 ±0.1	pin pitch ±0.2	±1°	T-H BOBBIN PQ-26X25		
CHECKED & APPROVED BY ZHONG YU	4<L≤16 ±0.2		UNIT:	BOBBIN MATERIAL:	UL REC.	
	16<L≤63 ±0.3		MM	PHENOLIC PM9820	UL 94V-0	
PIN SHINE INDUSTRIAL CO., LTD. TEL:886-2-22990545 FAX:886-2-22990546			ORIGIN:	PIN MATERIAL:	PIN TENSION LOAD:	
			DG	CP WIRE	1.5KG MIN	
			DATE:	DRAWING NO.	REV.	
			APR.07 '2003	P-2601	1	