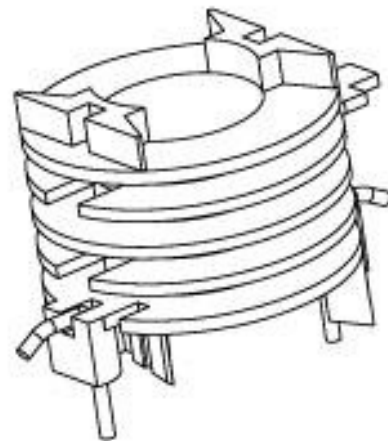
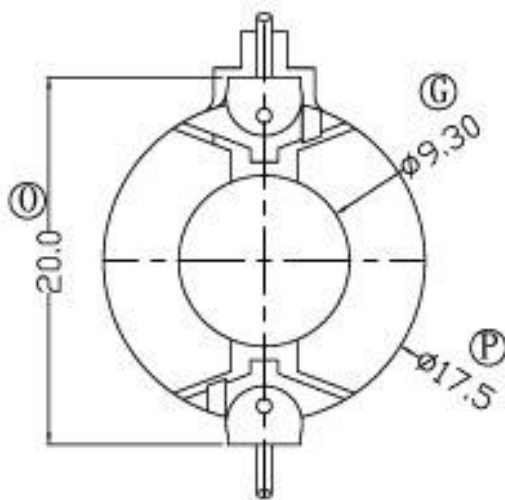
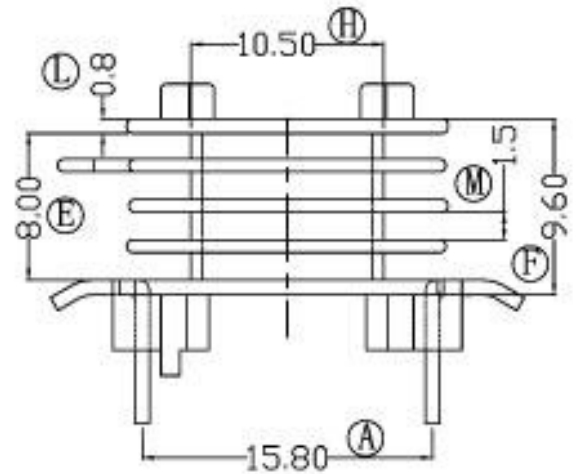
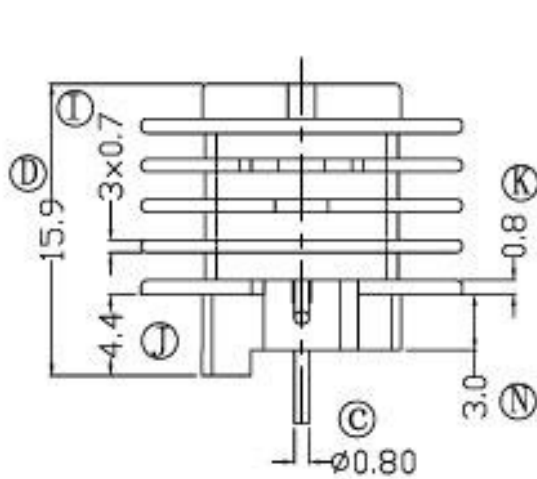


型号

PQ-2603

REV	REVISIONS REC	DATE



DRAWNBY	JING LI PENG	<b>TOLERANCE</b> X. X            ± 0.3 X. XX          ± 0.2 壁厚:          ± 0.15 PINPITCH      ± 0.2	MODEL NAME:	PQ26-2P
CHECKER BY	LING RONG WANG		BOBBIN MATERIAL:	PA66白色
DATE	01-01-2008		SCALE: 2:1	SCALE: UL 94V-0
				SCALE: M/M