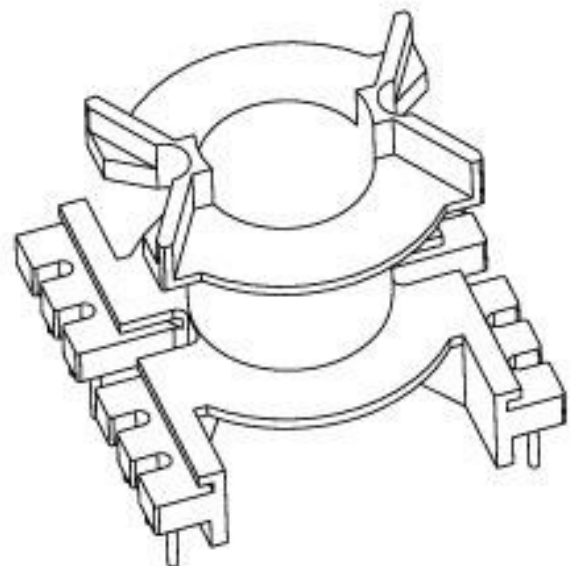
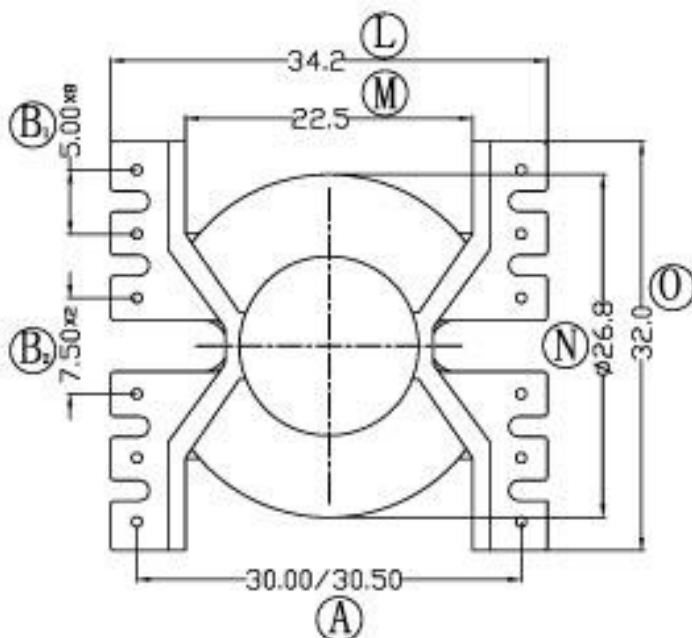
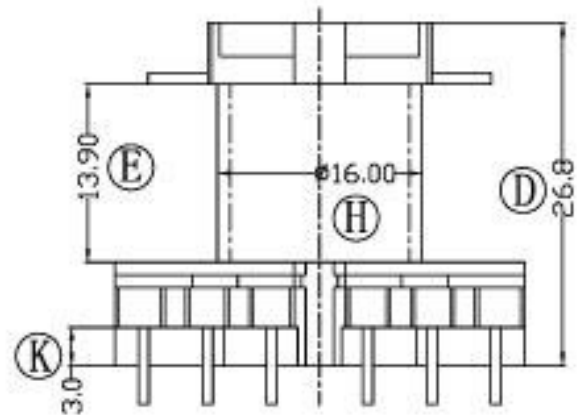
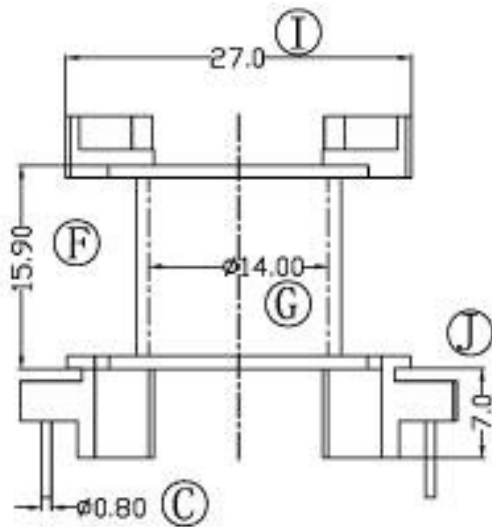


型号

PQ-3203

REV	REVISIONS REC	DATE



DRAWN BY	JING LI PENG	TOLERANCE	MODEL NAME:	PQ-3225
CHECKER BY	LING RONG WANG		BOBBIN MATERIAL:	PHENOLIC
DATE	01-01-2008		SCALE: 2:1	SCALE: UL 94V-0
		X.X ± 0.3	⊕	SCALE: M/M
		X.XX ± 0.2	≡	
		壁厚: ± 0.15		
		PINPITCH ± 0.2		