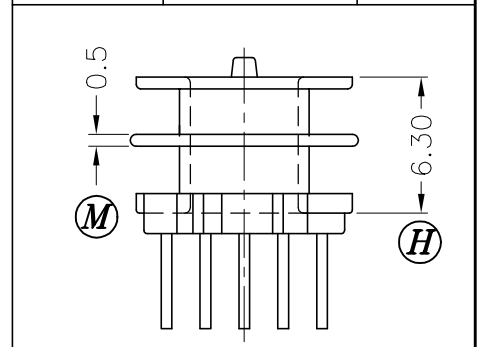


DRAWING NO:	MATERIAL:	ORIGIN:
P-502-1	PM9630	DG



REV.	REVISIONS	REC.	REV.	REVISIONS	REC.
1	CANCEL (M),(O),(Q); UPDATE DRAWING				

DRAWN & DRAFTED BY ZHONG SHENG	TOLERANCES		ANGLE:	TITLE:	
	$0 < L \leq 4$	± 0.1	$\pm 1^\circ$	T-H BOBBIN RM-5	
CHECKED & APPROVED BY RONG HONGJUN	$4 < L \leq 16$	± 0.2	UNIT:	BOBBIN MATERIAL:	UL REC.
	$16 < L \leq 63$	± 0.3	MM	PHENOLIC PM9630	UL 94V-0
PIN SHINE INDUSTRIAL CO., LTD. TEL: 886-2-22990545 FAX: 886-2-22990546			ORIGIN:	PIN MATERIAL:	PIN TENSION LOAD:
			DG	CP WIRE	0.7KG MIN.
			DATE:	DRAWING NO.	REV.
			MAR. 27 '2003	P-502	1